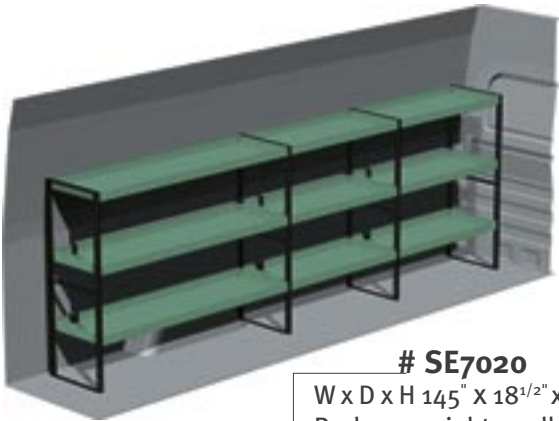


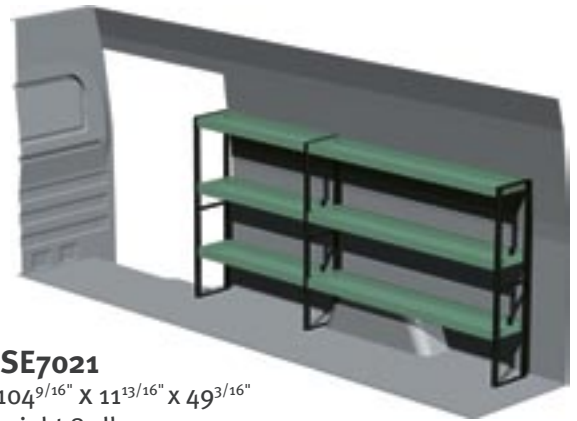
Dodge Sprinter 158"



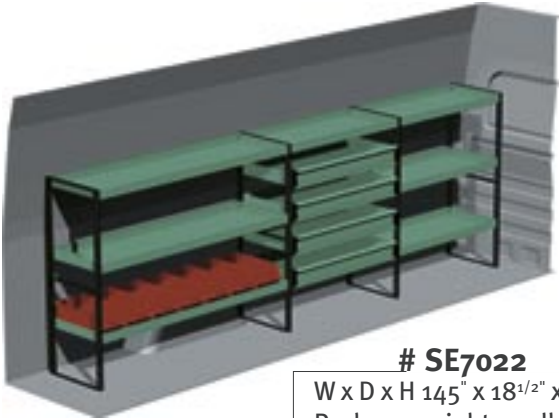
- All Dodge Sprinter packages are designed to maximize the interior dimensions for these vehicles, whether 118", 140" or 158" wheelbase.
- System Edstrom's wide range of shelving, drawer, and component sizes makes it possible to configure similar interior systems without leaving any wasted space, regardless of the wheelbase of the van.
- Do you see something that looks just right for you, or think that mixing and matching left hand and right hand sides from the different packages shown would do the trick? You can do that. You can also start from scratch, and design your own interior the way you want. After all, who would know better than you what layout would be the best. System Edstrom's modular components give you all the pieces you need to build the perfect interior.
- Need help? System Edstrom's Sales Support Team can assist you in getting the right interior to maximize your efficiency. Give us a call.



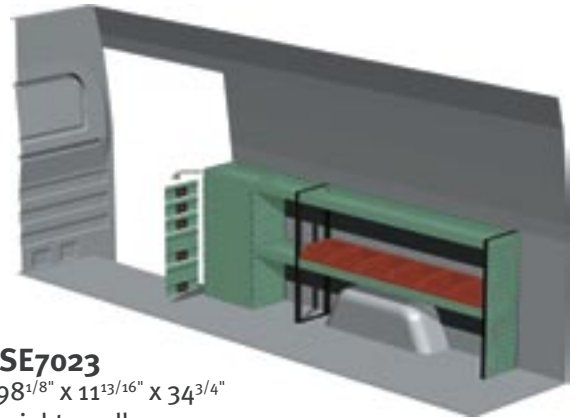
SE7020
W x D x H 145" x 18¹/₂" x 49³/₁₆"
Package weight 147 lbs.



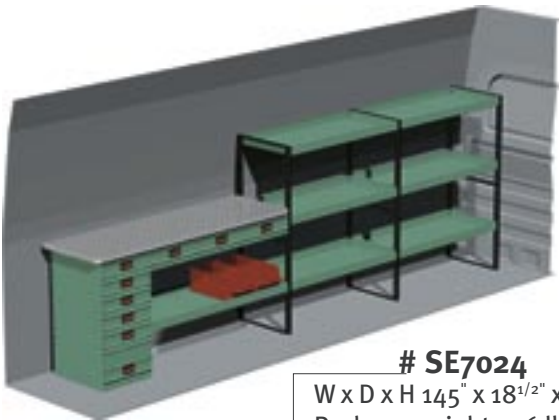
SE7021
W x D x H 104⁹/₁₆" x 11¹³/₁₆" x 49³/₁₆"
Package weight 81 lbs.



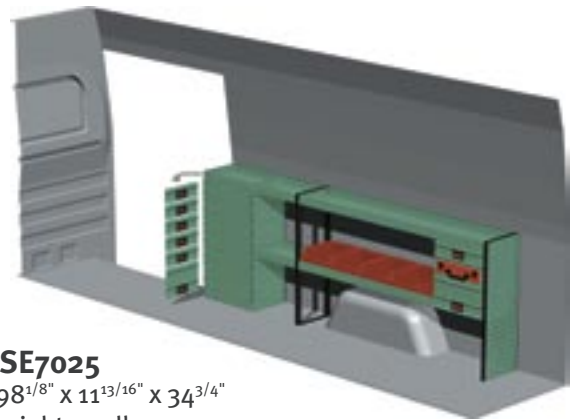
SE7022
W x D x H 145" x 18¹/₂" x 49³/₁₆"
Package weight 193 lbs.



SE7023
W x D x H 98¹/₈" x 11¹³/₁₆" x 34³/₄"
Package weight 103 lbs.



SE7024
W x D x H 145" x 18¹/₂" x 49³/₁₆"
Package weight 236 lbs.



SE7025
W x D x H 98¹/₈" x 11¹³/₁₆" x 34³/₄"
Package weight 129 lbs.

Before assembly/installing see our instructions.