

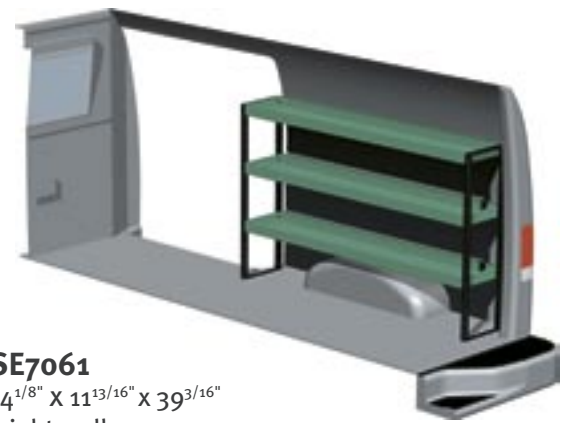
# Ford E-Series Regular Length



- All Ford Econoline Van packages are designed to maximize the interior dimensions for these particular vehicles, whether they are regular or extended length models.
- System Edstrom's wide range of shelving, drawer, and component sizes makes it possible to configure similar interior systems without leaving any wasted space, regardless of the wheelbase of the van.
- Do you see something that looks just right for you, or do you think that mixing and matching left hand and right hand sides from the different packages shown would do the trick? You can do that. You can also start from scratch, and design your own interior the way you want. After all, who would know better than you what layout would be the best. System Edstrom's modular components give you all the pieces you need to build the perfect interior.
- Need help? System Edstrom's Sales Support Team can assist you in getting the right interior to maximize your efficiency. Give us a call.



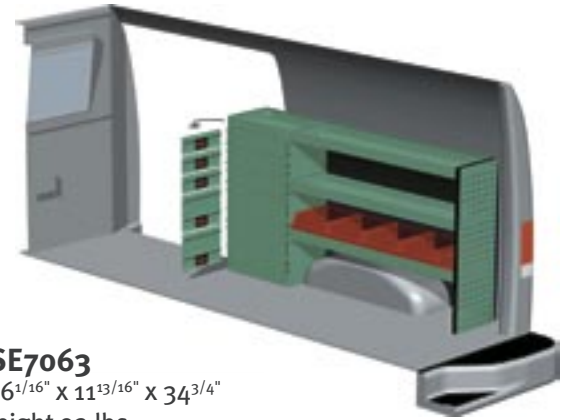
**# SE7060**  
W x D x H 104<sup>9/16</sup>" x 18<sup>1/2</sup>" x 39<sup>3/16</sup>"  
Package weight 105 lbs.



**# SE7061**  
W x D x H 64<sup>1/8</sup>" x 11<sup>13/16</sup>" x 39<sup>3/16</sup>"  
Package weight 50 lbs.



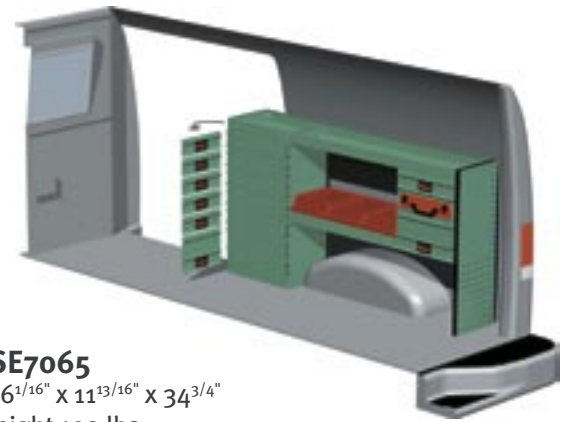
**# SE7062**  
W x D x H 104<sup>9/16</sup>" x 18<sup>1/2</sup>" x 39<sup>3/16</sup>"  
Package weight 131 lbs.



**# SE7063**  
W x D x H 66<sup>1/16</sup>" x 11<sup>13/16</sup>" x 34<sup>3/4</sup>"  
Package weight 92 lbs.



**# SE7064**  
W x D x H 104<sup>9/16</sup>" x 18<sup>1/2</sup>" x 39<sup>3/16</sup>"  
Package weight 165 lbs.



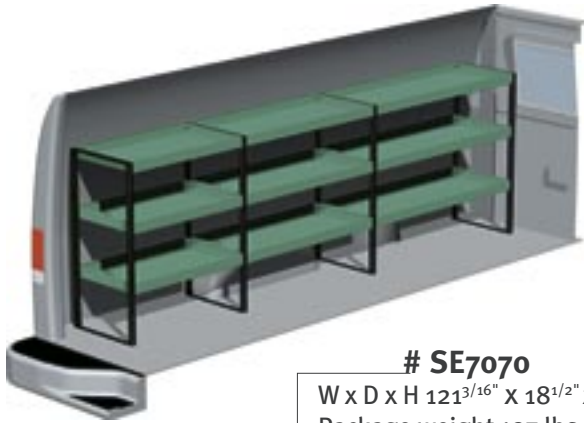
**# SE7065**  
W x D x H 66<sup>1/16</sup>" x 11<sup>13/16</sup>" x 34<sup>3/4</sup>"  
Package weight 109 lbs.

Before assembly/installing see our instructions.

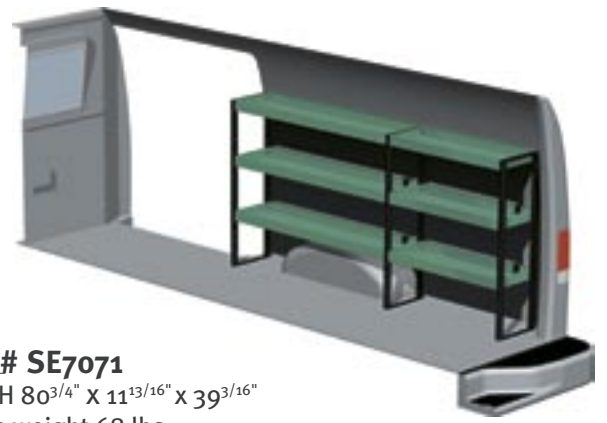
# Ford E-Series Extended Length



- All Ford Econoline Van packages are designed to maximize the interior dimensions for these particular vehicles, whether they are regular or extended length models.
- System Edstrom's wide range of shelving, drawer, and component sizes makes it possible to configure similar interior systems without leaving any wasted space, regardless of the wheelbase of the van.
- Do you see something that looks just right for you, or do you think that mixing and matching left hand and right hand sides from the different packages shown would do the trick? You can do that. You can also start from scratch, and design your own interior the way you want. After all, who would know better than you what layout would be the best. System Edstrom's modular components give you all the pieces you need to build the perfect interior.
- Need help? System Edstrom's Sales Support Team can assist you in getting the right interior to maximize your efficiency. Give us a call.



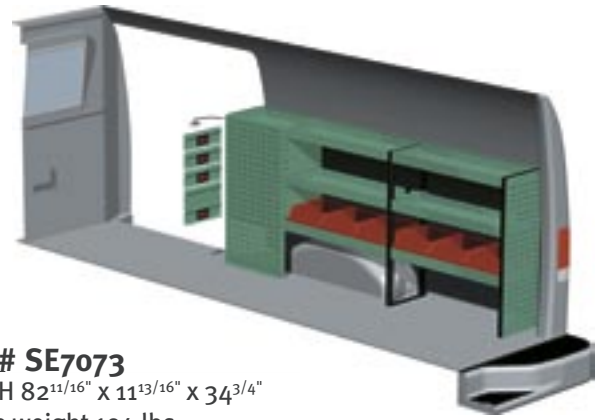
**# SE7070**  
W x D x H 121<sup>3</sup>/<sub>16</sub>" x 18<sup>1</sup>/<sub>2</sub>" x 39<sup>3</sup>/<sub>16</sub>"  
Package weight 127 lbs.



**# SE7071**  
W x D x H 80<sup>3</sup>/<sub>4</sub>" x 11<sup>13</sup>/<sub>16</sub>" x 39<sup>3</sup>/<sub>16</sub>"  
Package weight 68 lbs.



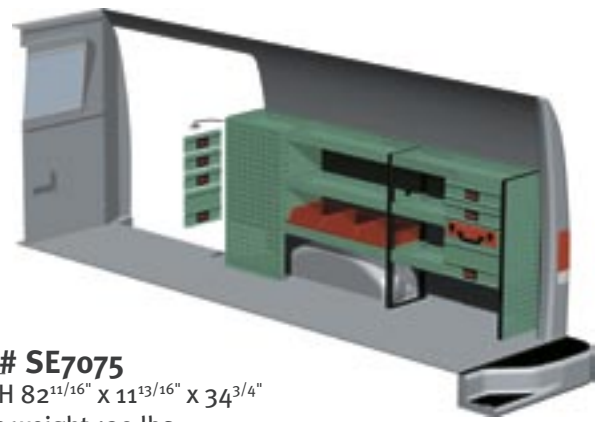
**# SE7072**  
W x D x H 121<sup>3</sup>/<sub>16</sub>" x 18<sup>1</sup>/<sub>2</sub>" x 39<sup>3</sup>/<sub>16</sub>"  
Package weight 148 lbs.



**# SE7073**  
W x D x H 82<sup>11</sup>/<sub>16</sub>" x 11<sup>13</sup>/<sub>16</sub>" x 34<sup>3</sup>/<sub>4</sub>"  
Package weight 104 lbs.



**# SE7074**  
W x D x H 125<sup>7</sup>/<sub>8</sub>" x 18<sup>1</sup>/<sub>2</sub>" x 39<sup>3</sup>/<sub>16</sub>"  
Package weight 205 lbs.



**# SE7075**  
W x D x H 82<sup>11</sup>/<sub>16</sub>" x 11<sup>13</sup>/<sub>16</sub>" x 34<sup>3</sup>/<sub>4</sub>"  
Package weight 130 lbs.

Before assembly/installing see our instructions.