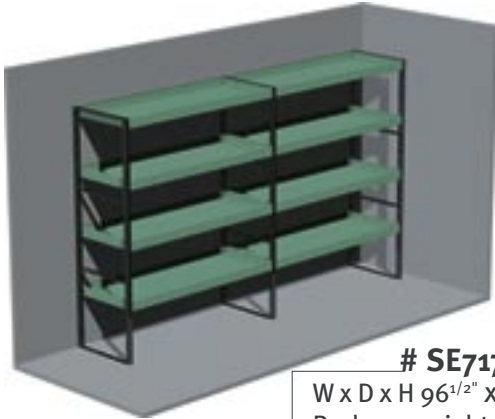


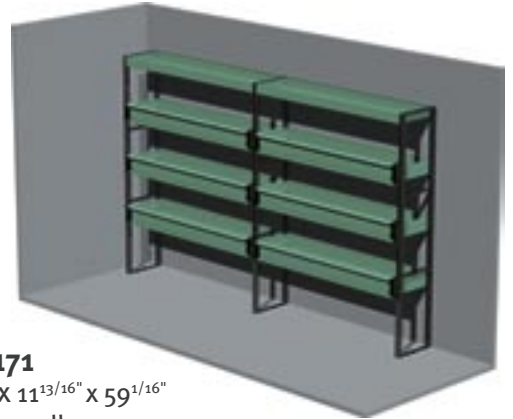
High Cube Van



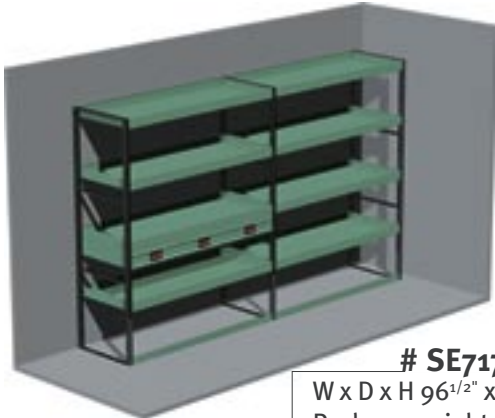
- How many ways can you fill up a box? We are only going to show you 6 below, but the possibilities are endless, and they are all based on your special needs.
- System Edstrom's wide range of shelving, drawer, and component sizes makes it possible to configure interior systems without leaving any wasted space, regardless of the length or width of your van body.
- Do you see something that looks just right for you, or do you think that mixing and matching left hand and right hand sides from the different packages shown would do the trick? You can do that. You can also start from scratch, and design your own interior the way you want. After all, who would know better than you what layout would be the best. System Edstrom's modular components give you all the pieces you need to build the perfect interior.
- Need help? System Edstrom's Sales Support Team can assist you in getting the right interior to maximize your efficiency. Give us a call.



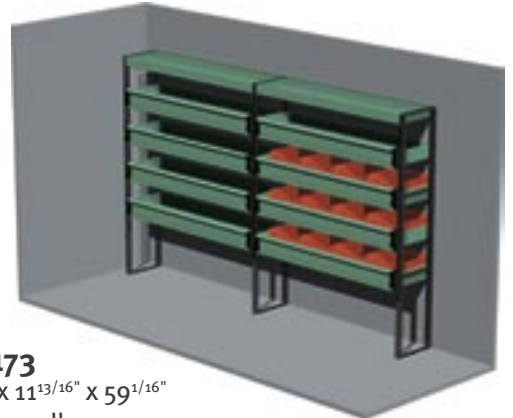
SE7170
W x D x H 96¹/₂" x 18¹/₂" x 59¹/₁₆"
Package weight 132 lbs.



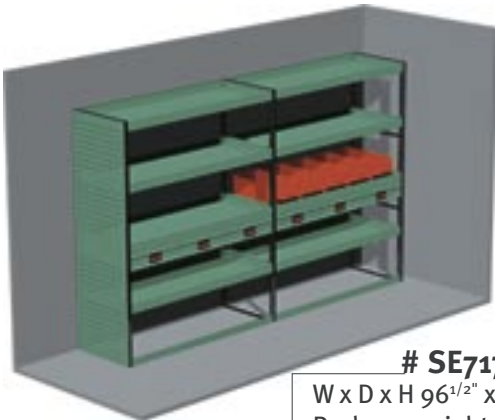
SE7171
W x D x H 96¹/₂" x 11¹³/₁₆" x 59¹/₁₆"
Package weight 119 lbs.



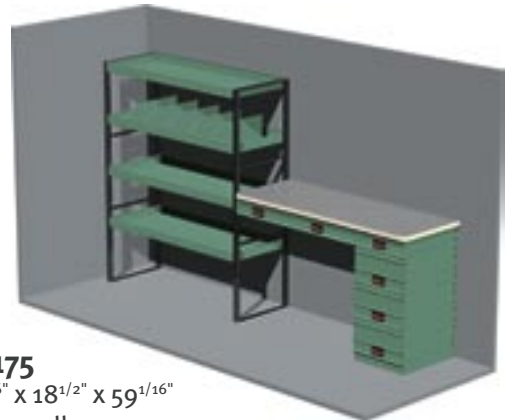
SE7172
W x D x H 96¹/₂" x 18¹/₂" x 59¹/₁₆"
Package weight 176 lbs.



SE7173
W x D x H 96¹/₂" x 11¹³/₁₆" x 59¹/₁₆"
Package weight 157 lbs.



SE7174
W x D x H 96¹/₂" x 18¹/₂" x 59¹/₁₆"
Package weight 229 lbs.



SE7175
W x D x H 103⁷/₁₆" x 18¹/₂" x 59¹/₁₆"
Package weight 194 lbs.

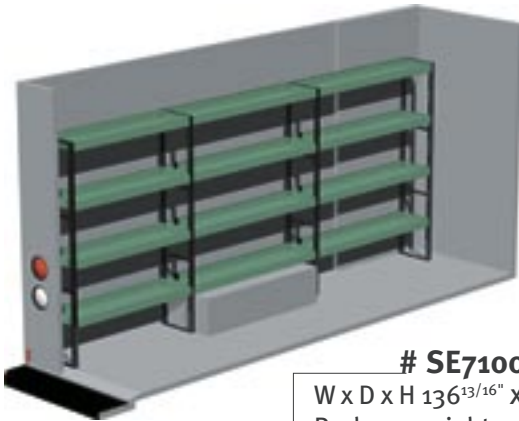
Before assembly/installing see our instructions.

Step Van

Picture is missing!
For you guys to fix!!

- Similar to the high cube van, the step van offers a large area screaming to be organized. Here are 6 possibilities, but don't let these limit you. The possibilities are endless, and they are all based on your special needs.
- System Edstrom's wide range of shelving, drawer, and component sizes makes it possible to configure interior systems without leaving any wasted space, regardless of the length or width of your van body.
- Do you see something that looks just right for you, or do you think that mixing and matching left hand and right hand sides from the different packages shown would do the trick? You can do that. You can also start from scratch, and design your own interior the way you want. After all, who would know better than you what layout would be the best. System Edstrom's modular components give you all the pieces you need to build the perfect interior.
- Need help? System Edstrom's Sales Support Team can assist you in getting the right interior to maximize your efficiency. Give us a call.

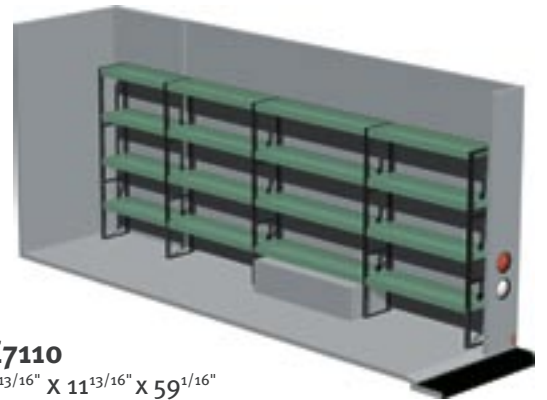
12' Compartment



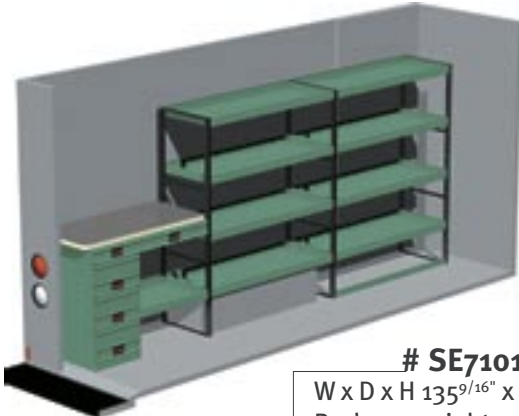
SE7100
W x D x H 136^{13/16"} x 11^{13/16"} x 59^{1/16"}
Package weight 138 lbs.

Remember that you can mount these packages on both street and curb side.

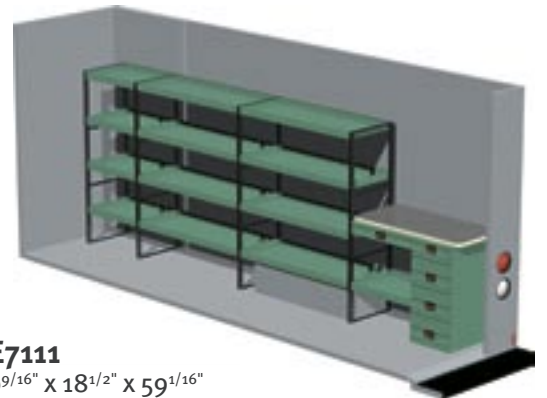
14' Compartment



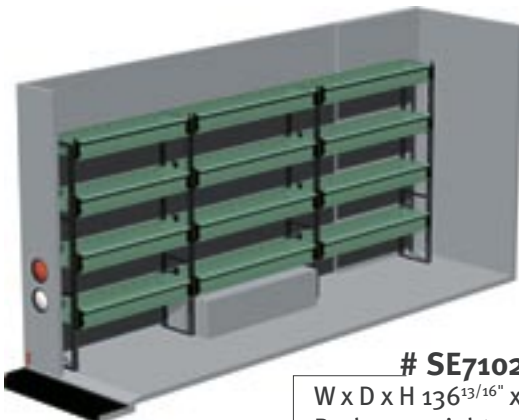
SE7110
W x D x H 161^{13/16"} x 11^{13/16"} x 59^{1/16"}
Package weight 167 lbs.



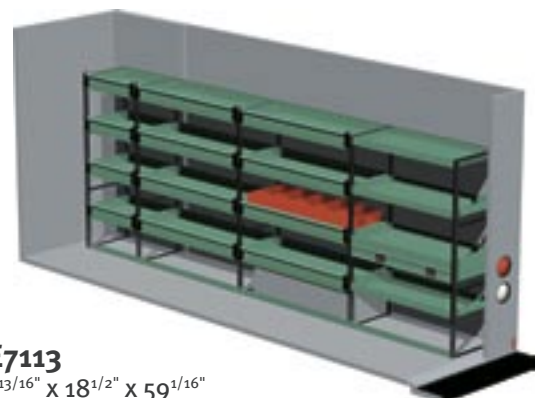
SE7101
W x D x H 135^{9/16"} x 18^{1/2"} x 59^{1/16"}
Package weight 239 lbs.



SE7111
W x D x H 160^{9/16"} x 18^{1/2"} x 59^{1/16"}
Package weight 268 lbs.



SE7102
W x D x H 136^{13/16"} x 11^{13/16"} x 59^{1/16"}
Package weight 178 lbs.



SE7113
W x D x H 161^{13/16"} x 18^{1/2"} x 59^{1/16"}
Package weight 277 lbs.

Before assembly/installing see our instructions.